

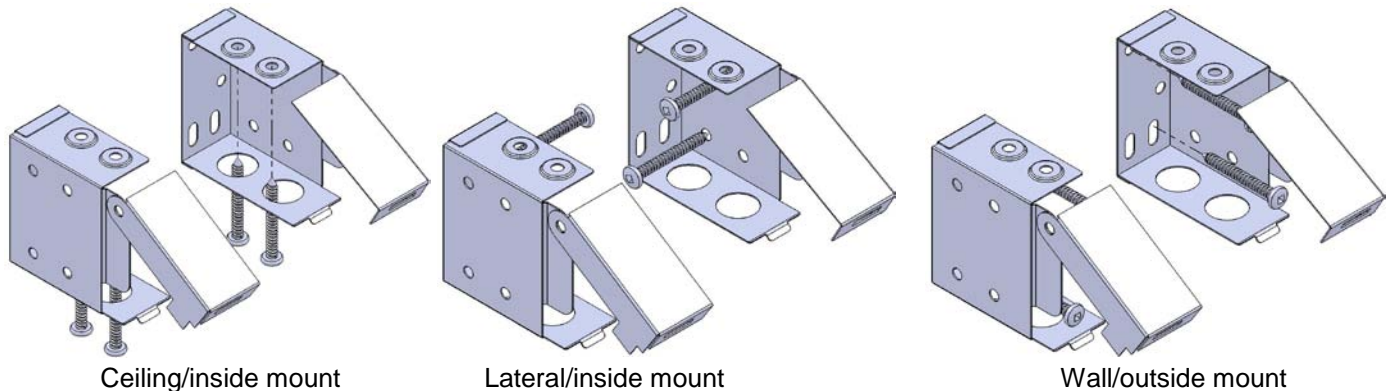


INSTALLATION INSTRUCTIONS

WOOD BLINDS

1. MOUNT THE BRACKETS

Determine the proper position for each bracket. The brackets are marked left and right. The headrail should slide inside the mounting brackets freely with a very small gap (1/8") between bracket and headrail end. If the wood blind is long you will have a center support bracket. This one should be positioned in the middle. The brackets should be securely mounted. All screws should be securely fastened to a sturdy structure. It is important that the brackets be mounted level and aligned to each other. Shimming may be required. Attach using two screws.



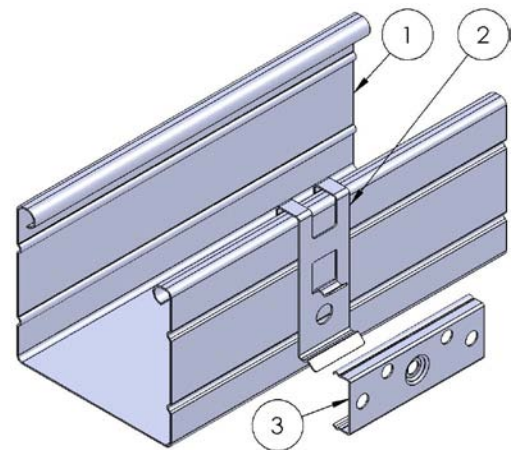
2. INSTALL THE BLIND

a) If the valance mounting option is "C channel with clips", attach the valance clips (2) to the headrail (1) into the appropriate position as shown in the figure.

Slide the headrail into the brackets. Press the front hinged cover plate of mounting brackets until snaps in place.

Snap the C channels (3) onto clips (2).

b) If the valance mounting option is with Velcro band, after you slide the headrail into position and secure with the hinged cover plate, attach the valance into appropriate position gently pressing the valance against the Velcro band attached to the headrail.



3. INSTALLATION OF HOLD DOWN BRACKETS (Optional)

If hold down brackets were requested, the brackets should be installed after the wood blind has been hung. Release blind to full length and mark each side the position of the down pin in the bottomrail. Make sure that marks are level. Screw the brackets to the mounting surface accordingly with the marks. Extend the blind at full length and slip the pin into the brackets.

4. CONNECTING THE MOTOR (Optional)

After the blind is installed, position the electrical cord of the motor making sure you do not press the cord against sharp edges and connect the motor to power. Operate the blind to make sure the blind is working properly.

For programming the remote see "Programming Instructions" for remote and wall switches.

5. OPERATE THE BLIND

Tilting - pull one of the two tilting cords to tilt the slats to the desired position

Raising and lowering - Always keep slats fully open when raising or lowering the blind. Support the bottomrail with your free hand while raising or lowering, especially for wide blinds.