



INSTALLATION INSTRUCTIONS

VALANCES

1. FABRIC VALANCE

The valance should be installed after the shade installation.

a. Ceiling mount

Fasten the Velcro angle to the ceiling in the appropriate position with the screws (2) provided. Make sure the Velcro side (4) faces the room interior. Leave enough space for the shade to operate without interference.

Align the Velcro strip on the fabric (1) with the Velcro section of the Velcro plastic angle (4). Start at one end of the Velcro angle and press the Velcro together. Continue this process for the entire length of the valance to ensure a secure hold.

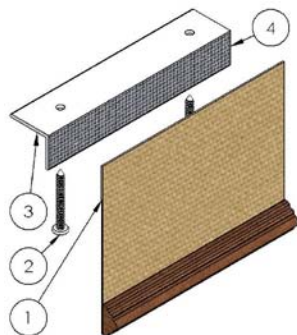
b. Wall mount

Make sure that the plastic clip (5) is attached to the mounting bracket. Install all the mounting brackets (3) before installing the shade.

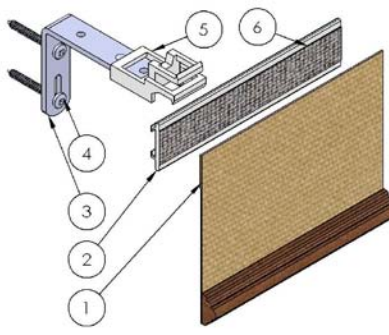
Bend the aluminum Velcro track (2) for returns, if required.

Beginning at one end, snap the Velcro track (2) to the valance clips (5).

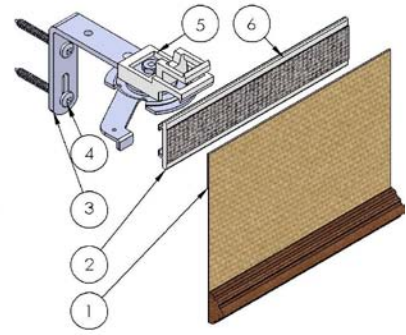
Align the Velcro strip on the fabric (1) with the Velcro section (6) of the aluminum Velcro track. Start at one end of the Velcro track and press the Velcro together. Continue this process for the entire length of the valance to ensure a secure hold.



Ceiling mount



Open roll wall mount



Panel Track wall mount

2. WOOD VALANCE

a. Ceiling mount

Determine the valance position. Make sure to leave enough space for the shade to operate without interference. Attach the valance to the ceiling with the screws provided (1)

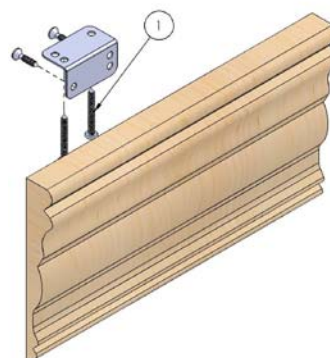
b. Wall mount

Install all the valance mounting brackets (3), before installing the shade, in an appropriate and secure position.

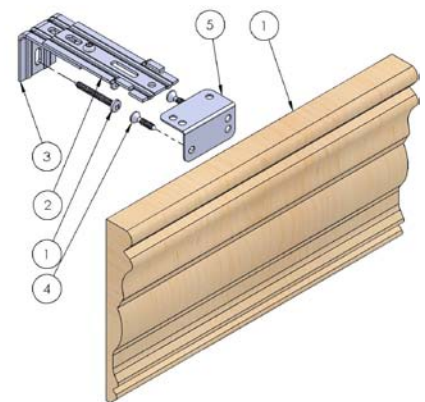
Fasten the mobile arm (2) of the bracket in a position which will leave enough space for the shade to operate without interference.

Mark on the valance the position of the mounting brackets. Attach the metal angles (5) provided to the back of the wood valance. The metal angle on the valance should match the bracket position on the wall.

Starting from one side, slide the metal angle lip into the designated support groove. Make sure the angle bracket fits tightly in the support groove.



Ceiling mount



Wall mount