

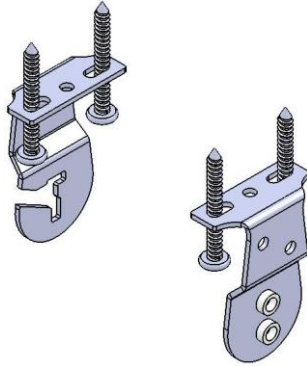


INSTALLATION INSTRUCTIONS

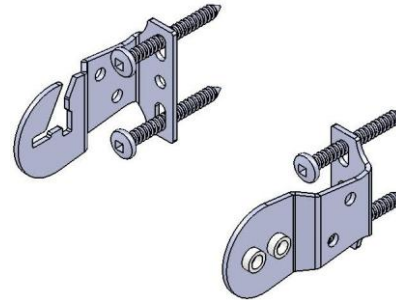
SPRING - ROLLER SHADE

1. MOUNT THE BRACKETS

Determine the proper position for the brackets. It is important that the brackets be mounted level to each other otherwise THE shade will roll up crooked. Slotted bracket is mounted on the left and pin-end bracket is mounted on the right. Attach the brackets to the window frame, window molding, wall or ceiling, as shown below.



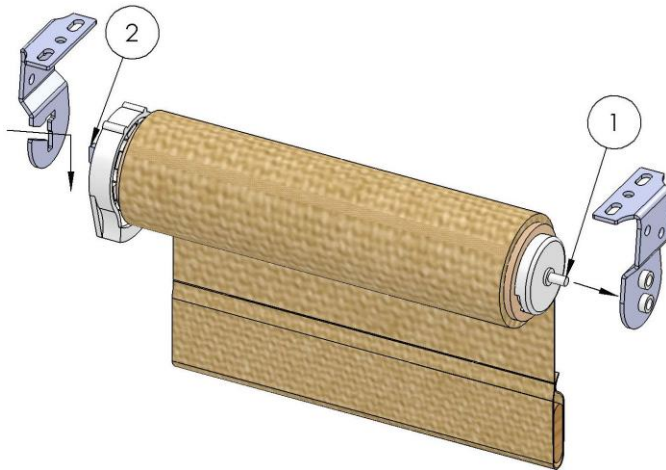
Ceiling mount



Wall mount

2. INSTALL THE SHADE

- Insert round pin end (1) in his corresponding bracket.
- Insert flat pin end (2) in corresponding slot. The bottom of the clutch should point straight down.



Tension Device install

3. INSTALL THE TENSION DEVICE

Position the Tension Device on the window frame or the wall so that the Tension Device and control cord do not interfere with raising or lowering the shade. The Tension Device should be installed without stretching or pulling down on the control cord. If using stop balls, position the tension device 1 / 4 inch higher to allow the stop ball to pass thru the tension device.

Holding the Tension Device upright, and in position, as shown, insert and secure the screw through the hole. The mounting screw must be secured into a solid surface or molly.

4. USE THE CONTROL CORD TO OPERATE THE SHADE

Pulling gently on the cord in one direction raises the shade; pulling it in the other direction lowers it.