



# INSTALLATION INSTRUCTIONS

---

## SKYLIGHT SHADE

### 1. TEST THE SHADE

Power up the motor and test the shade.

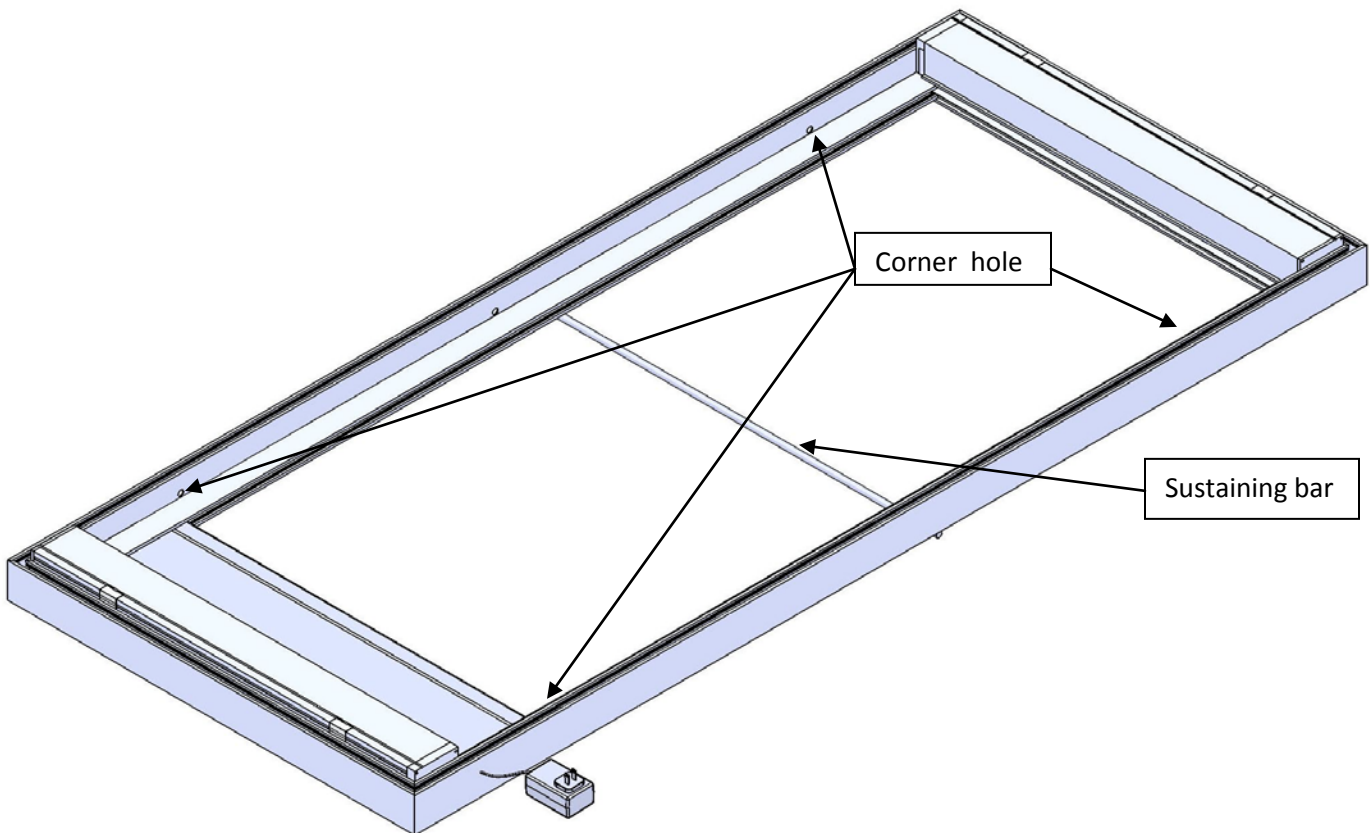
Make sure you retract the fabric completely so you have easy access to the mounting holes.

### 2. POSITION THE FRAME

**Note:** Two installers will be required to mount the frame.

Position the frame with the sustaining bar facing down as in the figure below.

Lift the frame into the position and insert one screw in a corner hole and another in the opposite corner. Leave some slack so you can level and position the frame. Depending on the mounting surface, you may want to mark all the holes first, and then pre-drill to insert any anchors or plugs.



### 3. MOUNT THE FRAME

Check the desired position of the frame and make sure that the frame is not twisted.

Insert the other screws but do not tighten. Close and open the shade to ensure that the shade functions properly.

Make any necessary final adjustment and tighten all the screws.

Insert the plastic caps in the mounting holes.

### 4. FINAL CHECK

Connect the shade to the designated power source. (See "Programming instructions" for remotes and wall switches).

Open and close the shade several times to confirm that the shade functions smoothly.