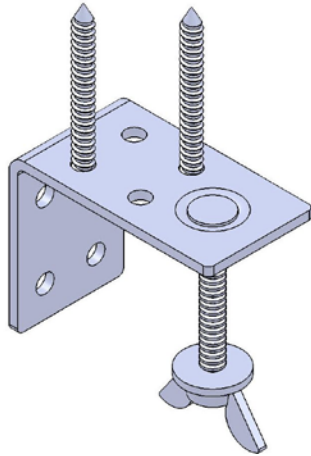




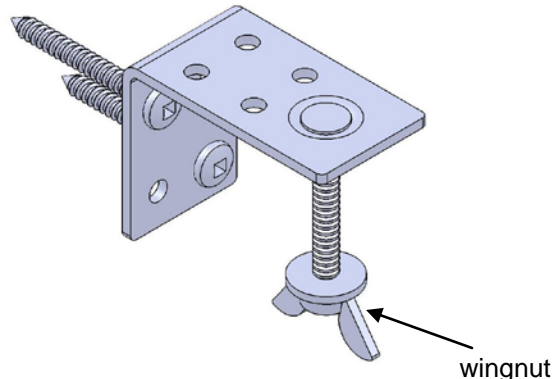
INSTALLATION INSTRUCTIONS

DUAL ROMAN SHADE

1. MOUNT THE BRACKETS



Ceiling/inside mount



Wall/outside mount

Hold the headrail level. Lower shade, check for correct length, and that the shade clears any obstructions. (Spacers or extension brackets may be required to clear any obstructions). While holding the headrail level against the window frame or wall, lightly mark on the mounting surface the positions of the headrail slots. Determine the proper position for each bracket. The brackets should be securely mounted at 1" from the shade sides. All screws should be securely fastened to a sturdy structure. It is important that the brackets be mounted level and aligned to each other. Shimming may be required. Attach using two screws.

NOTE: The standard mounting brackets provided are as follows: 2 for widths up to 60", 3 between 61" to 96", 4 or more over 96".

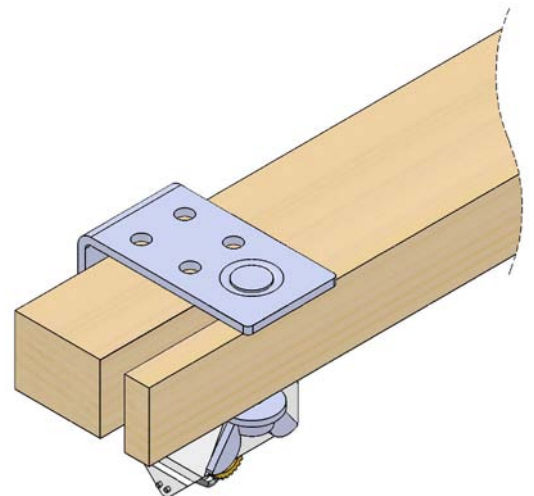
2. INSTALL THE SHADE

Take out the wing nuts from the bracket's bolts.

Push the headrail up onto the brackets so that the threaded posts on the brackets fit through the slots in the headrail.

Secure the headrail to the installation brackets by tightening the wingnuts.

Beginning at one end, press the Velcro strips attached to the fabric valance against the Velcro strips on the headrail, across the shade. Be sure to go back and press the Velcro to ensure a secure attachment.



3. OPERATE THE SHADE

The shade is equipped with a locking mechanism that holds the shade at the desired height. To raise or lower the shade, pull and angle the lift cords towards the middle of the shade. A slight tug will release the cord lock allowing the shade to be moved up or down. To lock the shade at the desired height, angle the lift cord outward to the side to engage the cord lock. If the shade should bind during raising or lowering, check the lift cords for proper alignment on the pulleys (under valance).

The left side cord raises and lowers the back shade; the right side cord operates the front shade.