



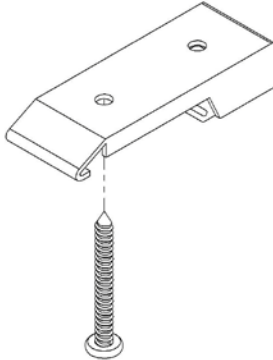
INSTALLATION INSTRUCTIONS

LOW VOLTAGE (DC) GLIDE TRACK SYSTEM

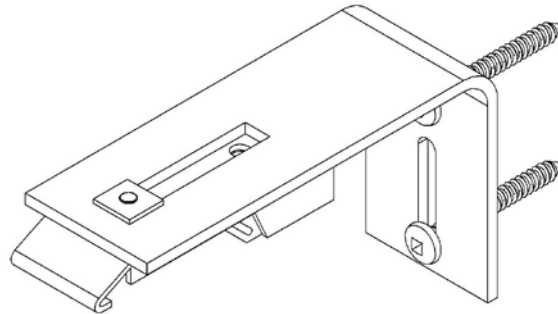
1. MOUNT THE BRACKETS

Determine the proper position for each bracket. The brackets should be securely mounted and equally spaced for the width of the Drapery track. All screws should be securely fastened to a sturdy structure. It is important that the brackets be mounted level and aligned to each other. Shimming may be required. Position the top of the brackets allowing for clearance at the bottom of the drapery.

NOTE: The standard mounting brackets provided are as follows: 2 for widths up to 60", 3 between 61" to 96", 4 or more over 96".



Ceiling/inside mount



Wall/outside mount

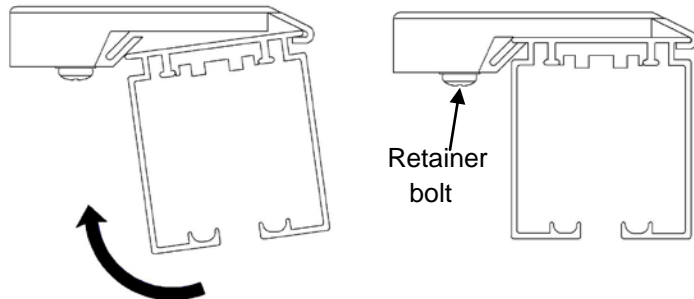
2. INSTALL THE TRACK

Confirm that the control position is in the correct position (left or right). Loosen all the bracket retainer bolts.

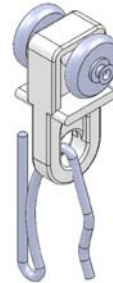
Press the front lip of the track against the front groove of the bracket as in the figure below. Push the track up until the back lip of the track snaps into the bracket retainer lip.

Repeat this process for each bracket.

Tighten all the bracket retainer bolts.



Track installation



Hook carrier



Snap carrier

3. INSTALL THE FABRIC

Install the drapery fabric with the appropriate carriers (hook carriers for pinch pleat, snap carrier for ripple folds).

4. CONNECT THE POWER SOURCE AND EXTERNAL CONTROL

Plug the transformer into the track and connect the adapter to an outlet.

Follow the appropriate programming instructions.

Operate the motor several times to confirm that the fabric extends and retracts smoothly.